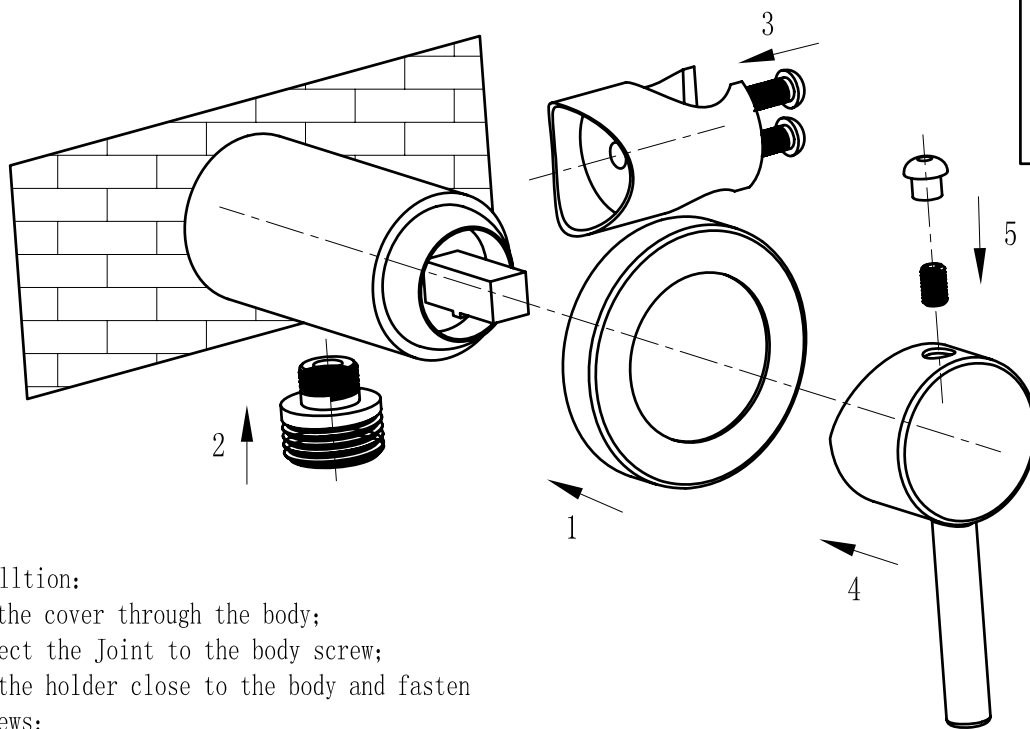
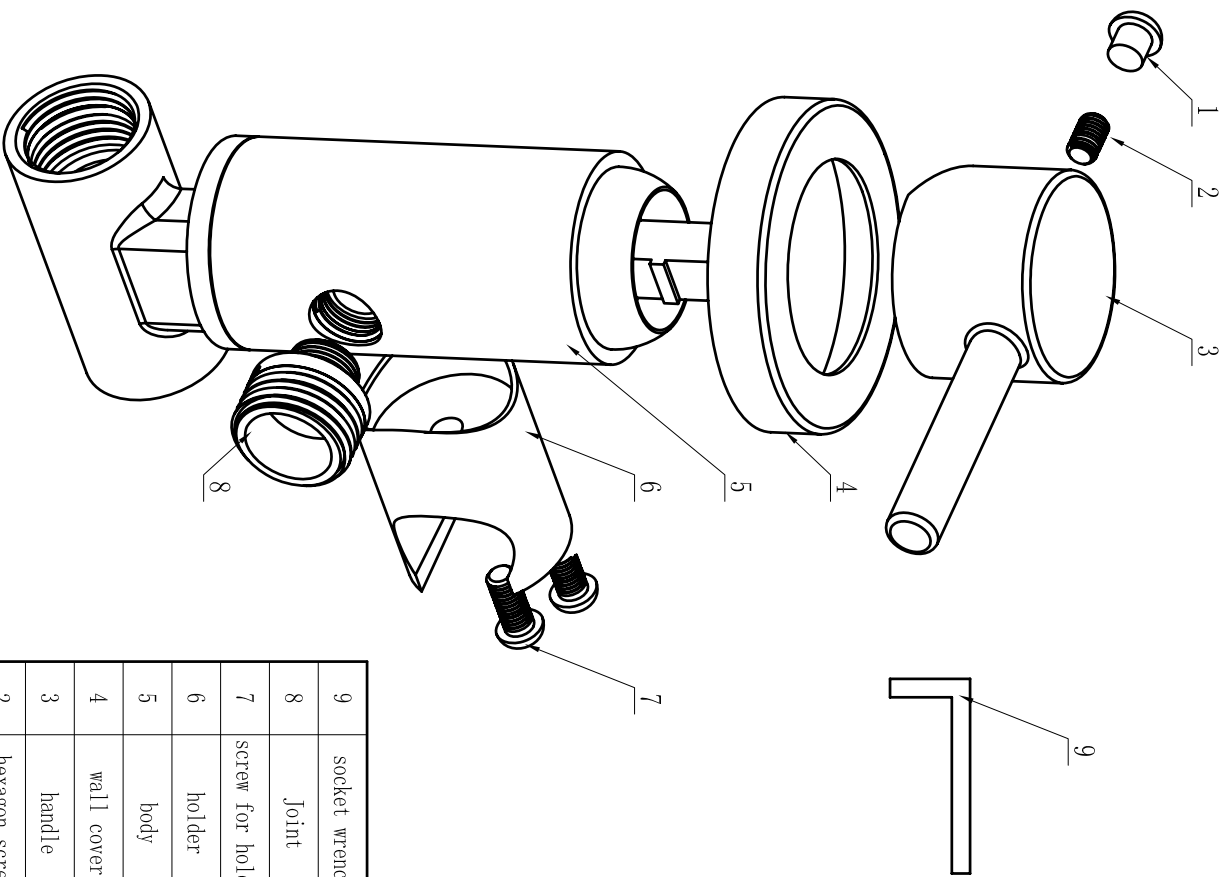


Part List and Installation



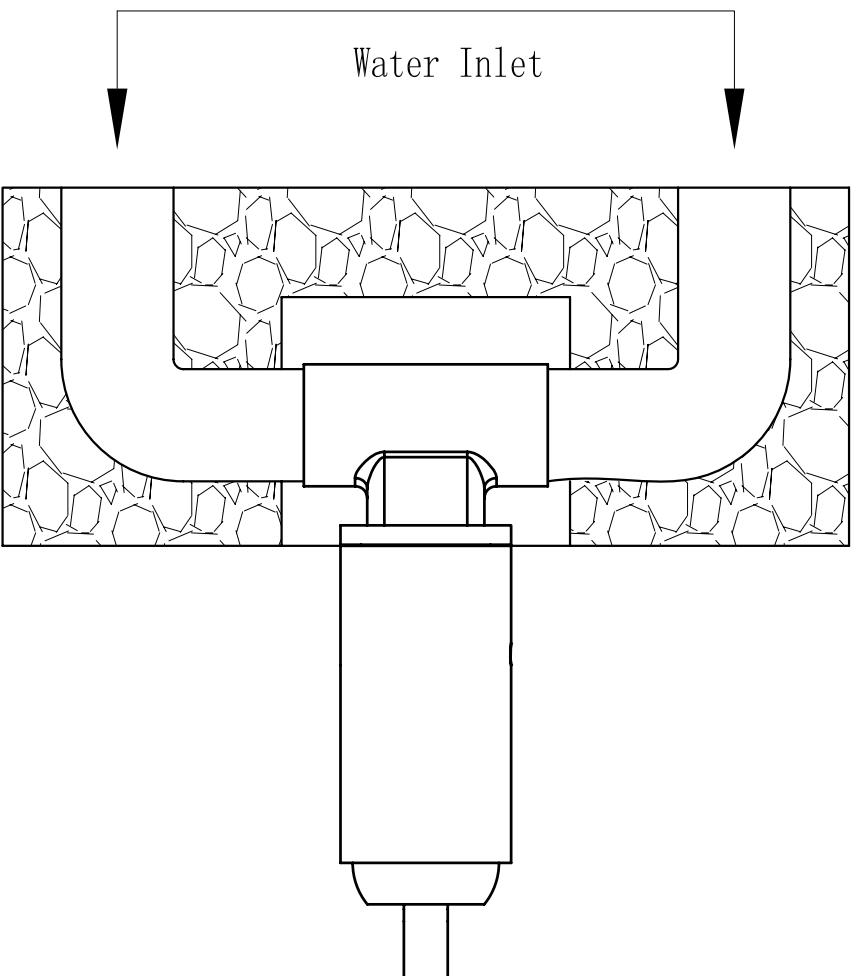
Installation:

- 1、 Put the cover through the body;
- 2、 Connect the Joint to the body screw;
- 3、 Put the holder close to the body and fasten two screws;
- 4、 Put the handle on the cartridge;
- 5、 Fix the hexagon screw with socket wrench then put the blue and red plug in.



Item No	Name	QTY
9	socket wrench	1
8	Joint	1
7	screw for holder	2
6	holder	1
5	body	1
4	wall cover	1
3	handle	1
2	hexagon screw	1
1	Blue and red plug	1

standard Part List



Installation 1