

M1/M3 SANITARY ACCOMMODATION IN BUILDINGS
OTHER THAN DWELLINGS

Diagram 18 Unisex wheelchair-accessible toilet with corner WC

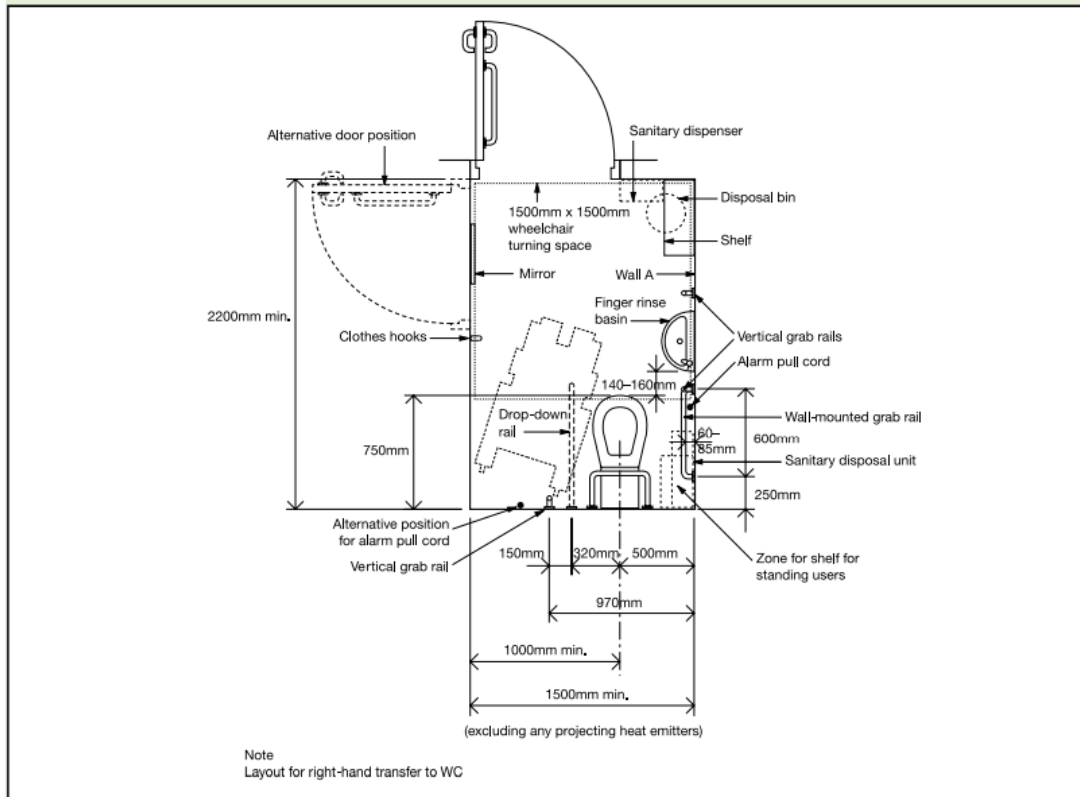


Diagram 19 Heights and arrangement of fittings in a unisex wheelchair-accessible toilet (looking towards wall A in diagram 18)

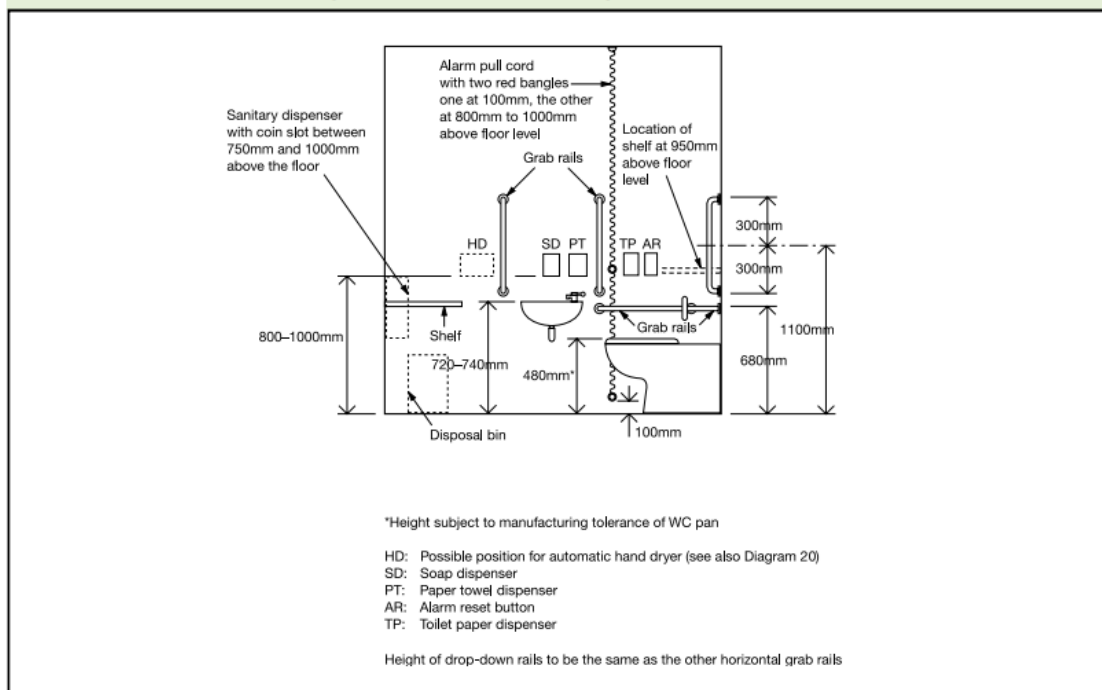


Diagram 20 Height of various fittings in toilet accommodation

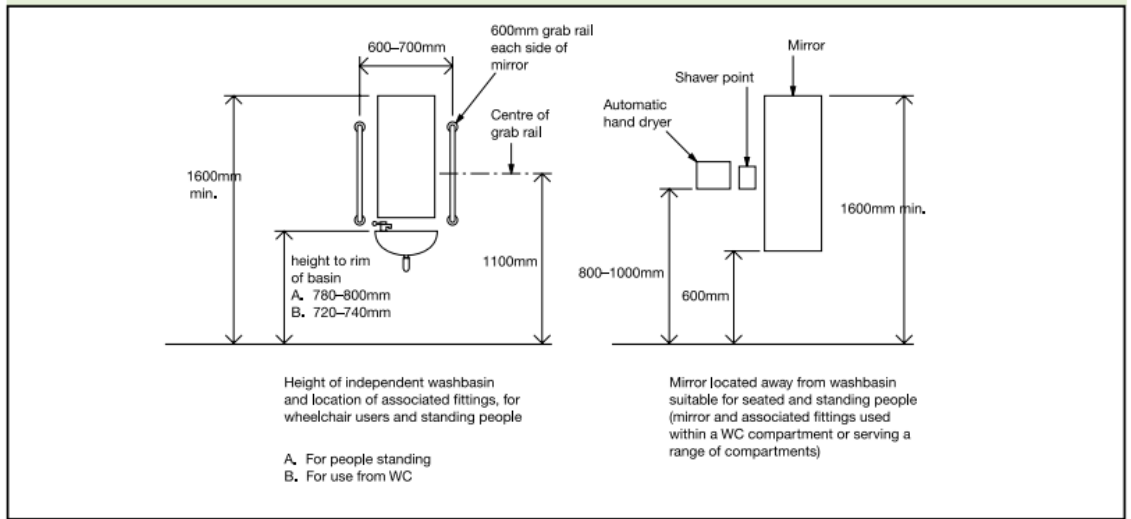


Diagram 21 WC cubicle for ambulant disabled people

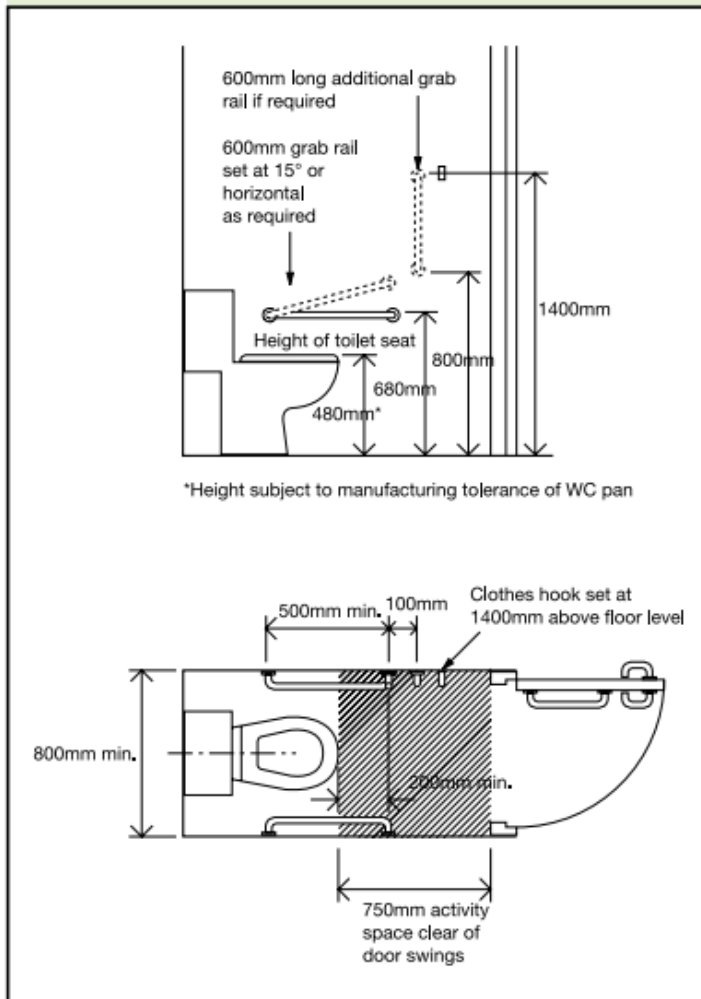


Diagram 22 An example of a self-contained changing room for individual use

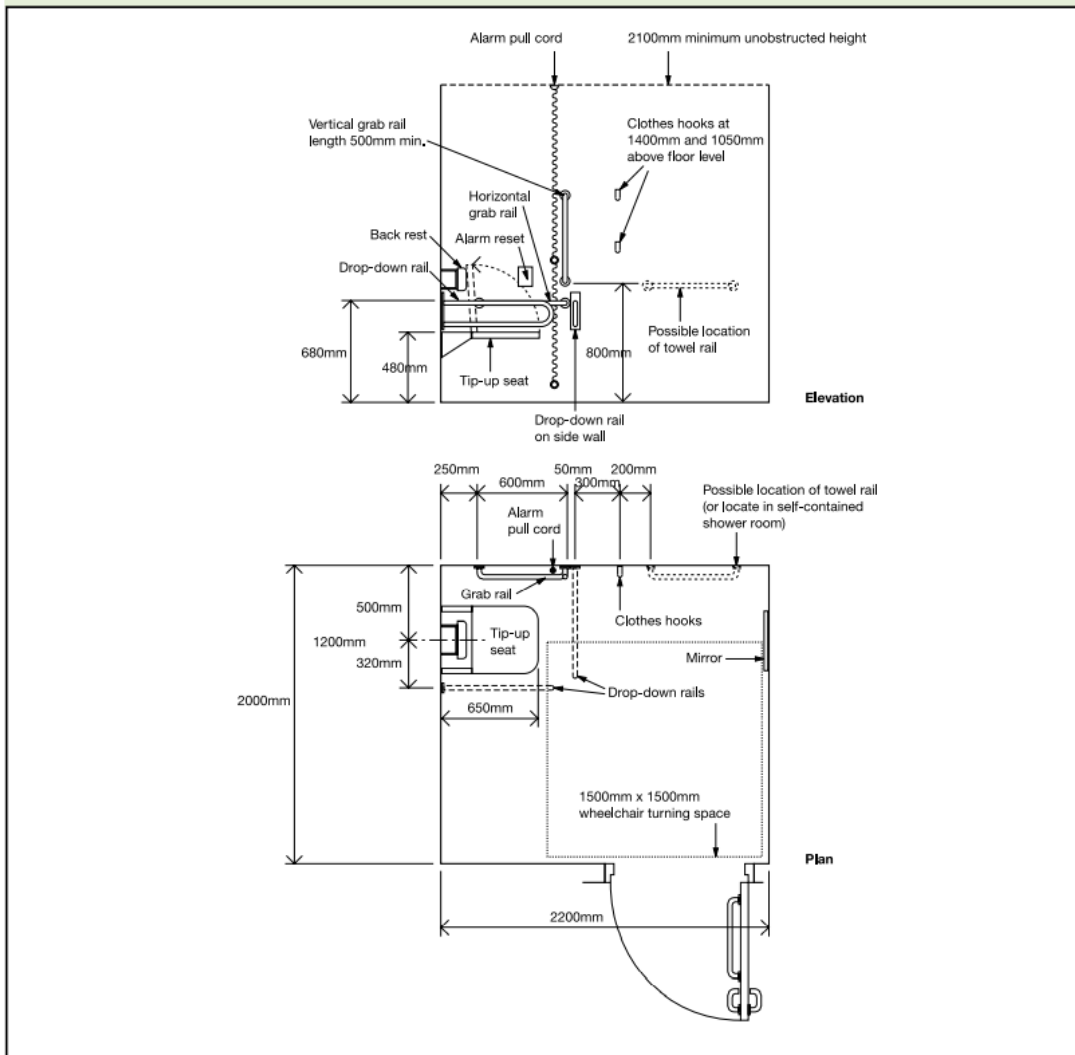


Diagram 26 Grab rails and fittings associated with a bath

