

Easy Access Concealed Cistern

Step One.

Remove the easy access cover plate and assemble the cistern & fittings as shown in the diagram, making sure that the cable is to the right-hand side as you look at the cistern from the front.

Step Two.

Place the cable into the slot in the easy access cover plate and clip firmly into position. **Note: Be careful not to kink the cable.**

Step Three.

Mark up the position where the cistern is to be fitted. Use the fixing bracket and fixing holes to fix the cistern into the WC unit or wall cavity.

Step Four.

Cut the flush pipe to the required length using a fine toothed saw. Connect the flush pipe to the cistern using the coupling nut and washer.

Step Five.

Mark the position of the button on the front fascia of the WC unit or ducting and drill a 40mm hole, ensuring there is enough room for the button housing behind the fascia.

Step Six.

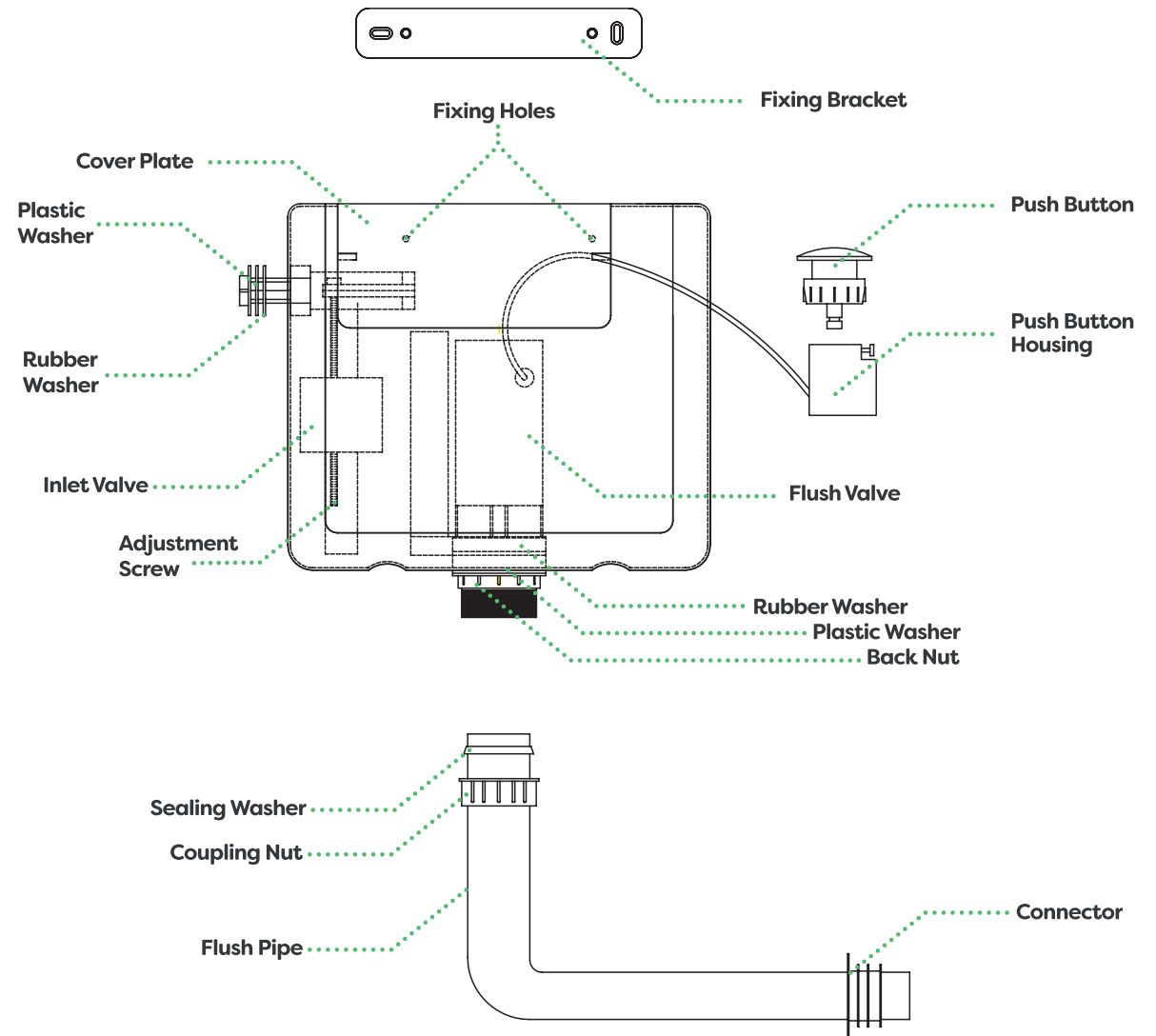
Fix the button into position by tightening the back nut and clip the button housing on the the button.

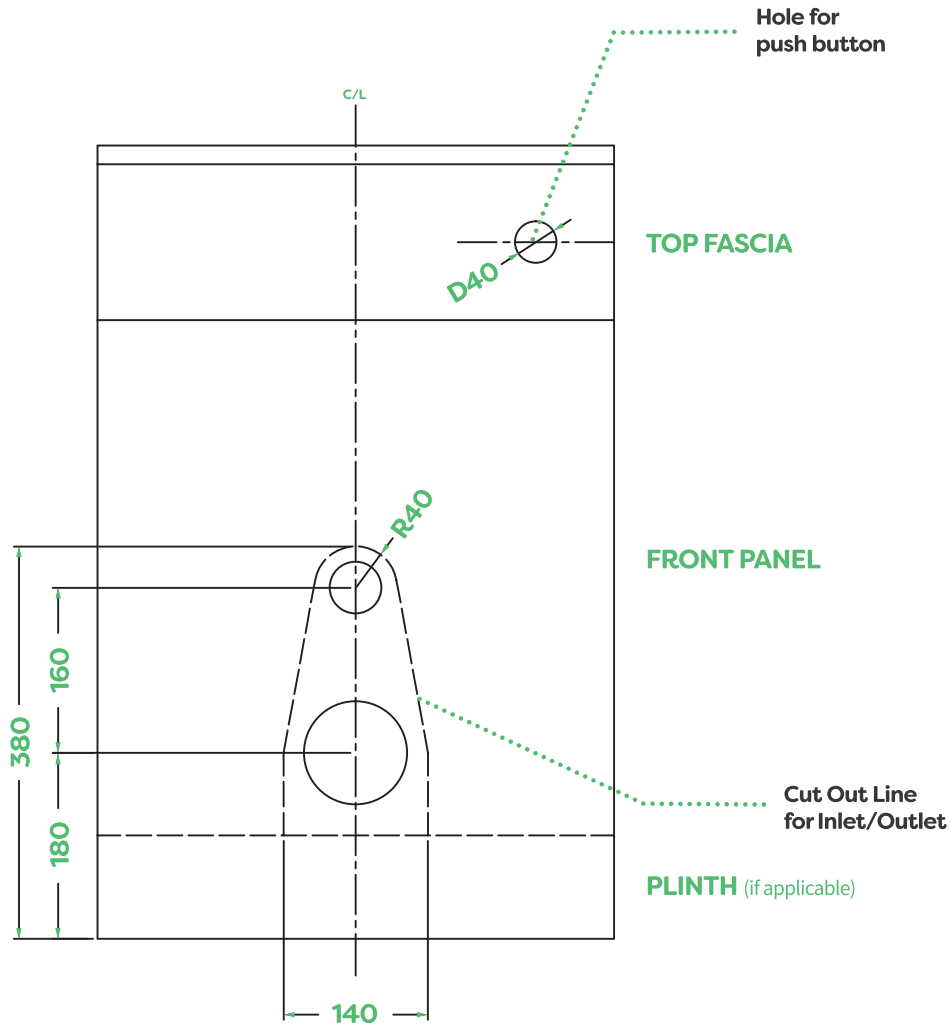
Step Seven.

Set the cistern water level by turning the adjusting screw on the inlet valve.

Step Eight.

Connect the WC pan as per WC pan manufacturer's instructions.





Cut Out Instructions for WC Units

Step One.

Mark out the opening on the front panel for the inlet and outlet of the WC pan.

Step Two.

Following the displayed dimensions, check the size against the pan before cutting out. **Note: Do not cut the bottom plinth.**

Step Three.

Position the push button on the front fascia to the left, right or centre. The drawing shows a suggested position being on the right-hand side.

Step Four.

Mark the centre point in the desired position and carefully drill a 40mm diameter hole.

Step Five.

Fix the button ensuring the cable is not kinked or bent.

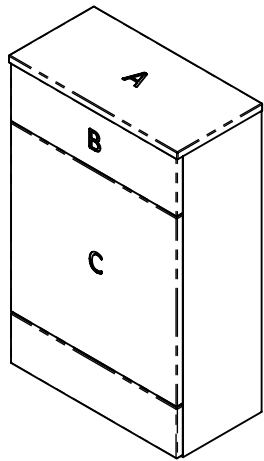
Step Six.

Seal any cut surfaces and exposed edges to prevent water ingress.

WC UNIT FLUSH BUTTON FITTING INSTRUCTION

THIS INSTRUCTION SHOWS HOW TO FIT A FLUSH BUTTON AND COVERS VARIOUS STYLES.

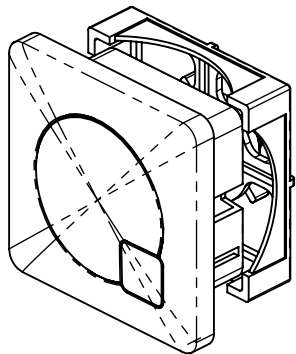
1



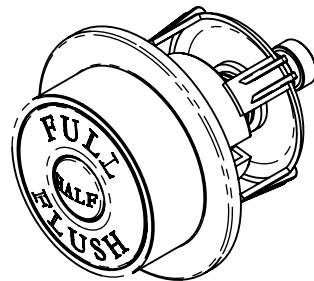
CHOOSE WHICH SIDE OF THE WC UNIT YOU WISH TO FIT THE FLUSH BUTTON IN PANEL B. CLEARANCE IS REQUIRED BEHIND THE BUTTON. IT MUST BE TO THE SIDE OF THE INTERNAL WATER TANK

2

SQUARE HOLE VERSION

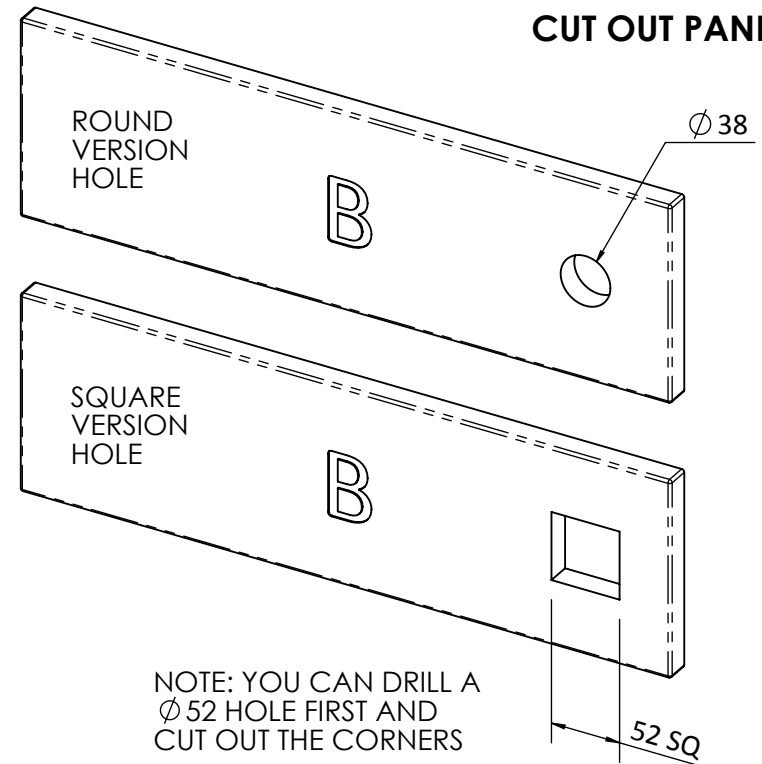


ROUND HOLE VERSION



3

CUT OUT PANEL B



4

