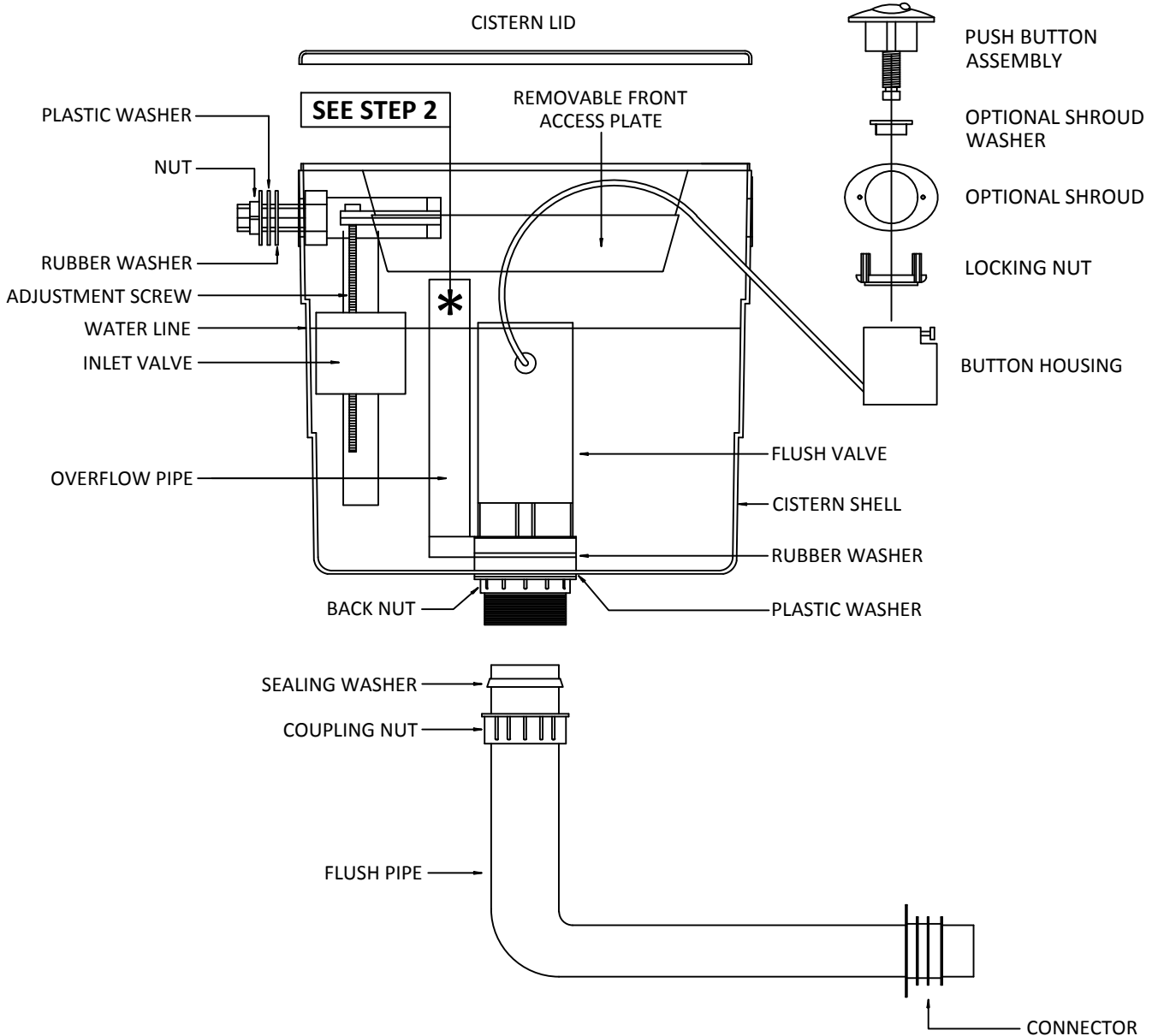
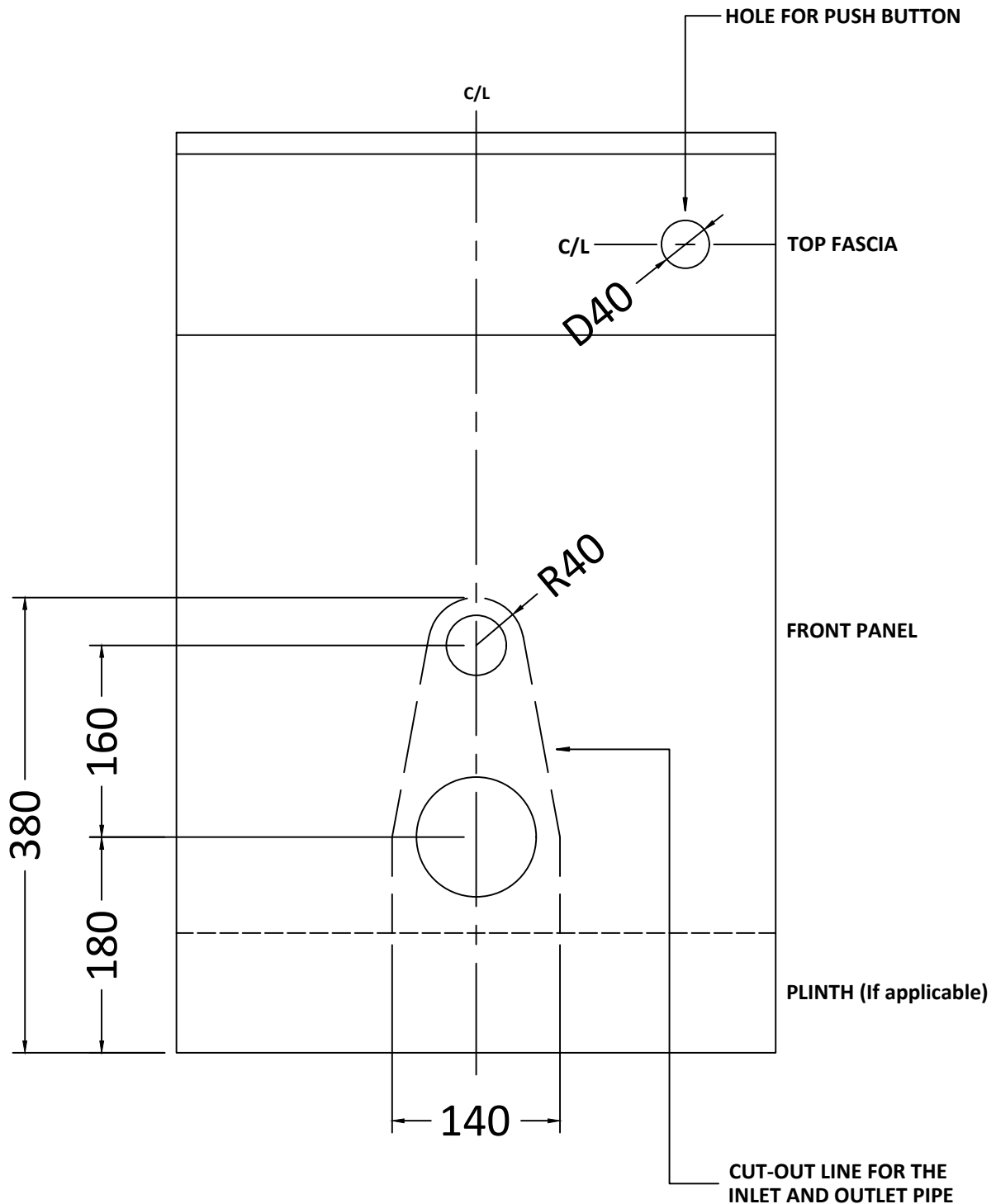


CONCEALED CISTERN INSTRUCTION (FRONT & TOP ACCESS)



- 1) ASSEMBLE THE CISTERN AS ABOVE AND MARK THE POSITION OF WHERE THE CISTERN IS TO BE FITTED. USE THE BRACKET AND FIXING HOLES TO FIX THE CISTERN INTO THE W.C UNIT OR WALL CAVITY.
- 2) ENSURE THAT THE OVERFLOW TUBE IS CUT MIDWAY BETWEEN THE WATER LEVEL AND THE LOWEST EDGE OF THE CISTERN BOX CUT-OUT. THIS CAN BE DONE BY REMOVING THE PLASTIC TRIM (IF FITTED) AND TRIMMING WITH A FINE TOOTHED SAW. AFTER TRIMMING REPLACE THE PLASTIC TRIM.
- 3) MARK OUT THE SIZE THAT THE FLUSH PIPE NEEDS TO BE AND TRIM, AGAIN USING A FINE TOOTHED SAW. CONNECT THE FLUSH PIPE TO THE CISTERN USING THE COUPLING NUT AND WASHER.
- 4) MARK THE POSITION OF THE BUTTON ON THE FRONT TOP FASCIA OF THE W.C UNIT OR DUCTING. ENSURE THAT THERE IS ENOUGH ROOM FOR THE BUTTON HOUSING BEHIND THE FASCIA. FIX THE BUTTON INTO POSITION BY TIGHTENING THE BACK NUT. CLIP THE BUTTON HOUSING ONTO THE BUTTON ENSURING THAT THE CABLE IS NOT KINKED OR BENT.
- 5) THE WATER LEVEL IN THE CISTERN CAN BE SET BY TURNING THE ADJUSTING SCREW ON THE INLET VALVE.
- 6) CONNECT THE W.C PAN AND FIX ACCORDING TO THE MANUFACTURERS INSTRUCTIONS.
- 7) TEST THE FLUSH PERFORMANCE, CISTERN REFILL AND OVERFLOW OPERATION.

CUT OUT INSTRUCTION FOR W.C. UNITS



MARK OUT THE OPENING ON THE FRONT PANEL FOR THE INLET AND OUTLETS OF THE W.C. PAN. FOLLOWING THE ABOVE DIMENSIONS, CHECK THE SIZE AGAINST THE PAN BEFORE CUTTING OUT. DO NOT CUT OUT THE BOTTOM PLINTH!

THE PUSH BUTTON CAN BE POSITIONED ON THE FRONT FASCIA LEFT, RIGHT OR CENTRAL. THE DRAWING SHOWS A SUGGESTED POSITION BEING ON THE RIGHT HAND SIDE. MARK THE CENTRE POINT IN YOUR DESIRED POSITION AND DRILL A 40mm DIAMETER HOLE. FIX THE BUTTON ENSURING THAT THE CABLE IS NOT KINKED OR BENT.

ANY CUT SURFACES/EDGES NEED TO BE SEALED AGAINST WATER INGRESS.