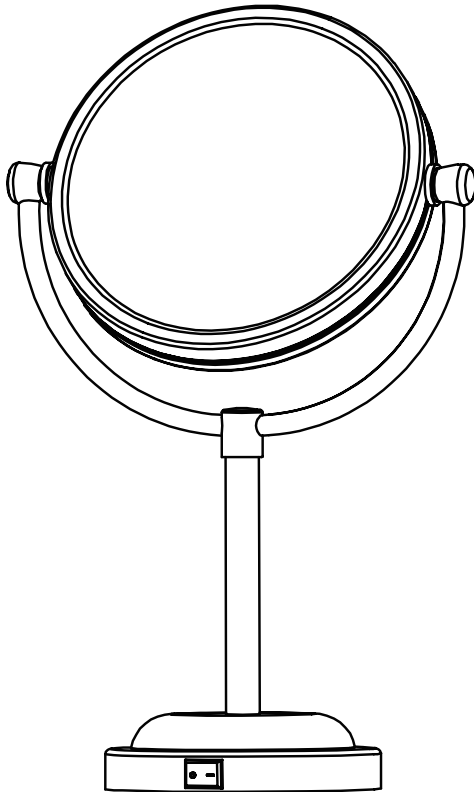


**AREZZO**

## **Installation Guide**

**LED Illuminated  
Free Standing  
Cosmetic Mirror**



# AREZZO

## Installation Guide

### LED Illuminated Free Standing Cosmetic Mirror

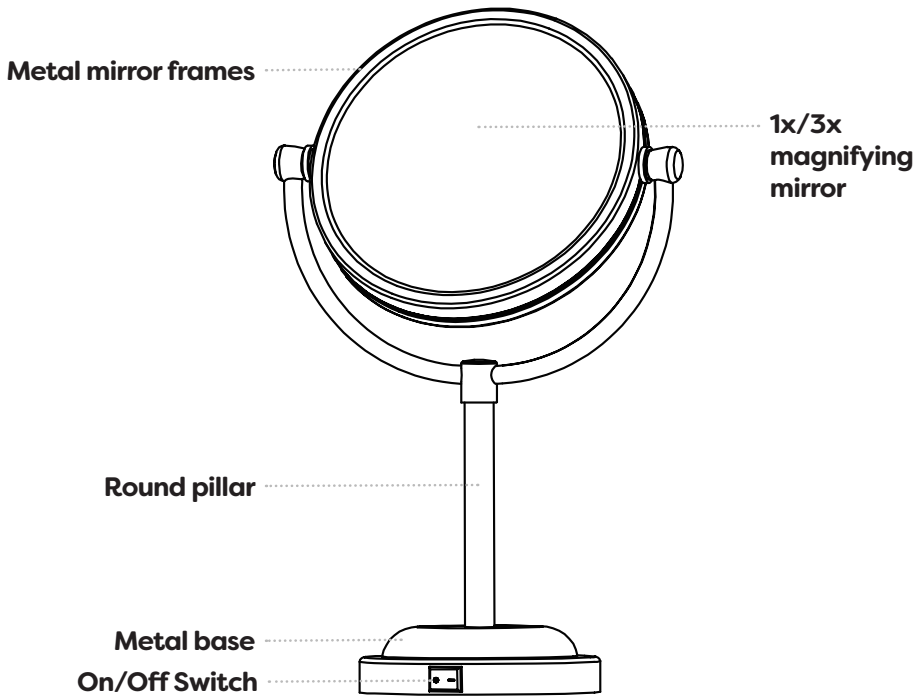
#### Pre Installation Notes

**This product is to be fitted by a qualified professional to British standard.**

Please follow these care instructions to ensure your product retains its high quality finish and retain this manual for future reference.

#### Important Information

1. Read the manual carefully before using the product
2. Before connecting to the power, check if the voltage matches the product's rating voltage.
3. Switch off the power if it is not used for a long time.
4. Input Voltage/Frequency: 6V
5. Output Voltage : 6V



## Cleaning and maintenance

Take the cleansing wax onto sponge, and spread widely and evenly on mirror (glass surface, shaking arms, and base metal), polish softly with dry cloth.

# **AREZZO**