



This product is IP44 rated and is suitable for installation in zones: 2 & Outside Zone

All installations must comply with guidelines which are based on a zonal concept. The diagram above illustrates this concept and must be followed to ensure the safe installation of electrical appliances in the bathroom. These regulations apply to domestic installations only. Installations must be made in accordance with the current IEE wiring regulations and relevant building regulations. **HiB recommends that all electrical bathroom products should only be fitted by a suitably qualified, Part P registered electrician.**

Installation

1. Position the mirror in a suitable location (according to the zonal diagram - Fig. 1), ensuring that the domestic electrical mains supply is within reach of the electrical entry point of the product.
2. Carefully mark the position of the mirror using a soft pencil ensuring it is level. Remove the mirror and mark the mounting points. **Please ensure that all marked mounting points accurately match up with the fixing points on the mirror.**
3. Using a suitable drill bit, drill holes in the marked positions to a suitable depth. If drilling through tile, use a ceramic drill bit.
4. Insert wall plugs level with the surface of the wall. If fitting to a tiled surface, wall plugs should be inserted below the tile surface to avoid cracking. *NB. For plasterboard walls, specialist fixings should be purchased, available from any DIY or hardware store.*
5. Screw supplied fixings into wall plugs.
6. **Ensure the domestic electrical mains supply to which the mirror is being connected is turned off.** Connect the domestic mains supply to the terminal box according to the wiring diagram (Fig. B) overleaf.
7. Hang the mirror in position.
8. Switch the domestic electrical mains supply for the mirror back on.

NB. LED Mirrors with charging socket only; On first use of the charging socket, there may be resistance when inserting the plug. Make sure that the mirror is held firmly so that it is not pushed off the wall. After a few uses, resistance will ease and the socket will function as normal.



WEEE compliance
Must not be mixed with general household waste

Illuminated Mirrors

Globe 45 Art No. 78400000 / Globe 50 Art No. 78500000
 Globe 60 Art No. 78600000 / Globe 90 Art No. 78610000
 Globe 120 Art No. 78700000 / Globe 140 Art No. 78710000
 Vega 40 Art No. 78749000 / Vega 50 Art No. 78750000
 Vega 60 Art No. 78751000 / Vega 80 Art No. 78752000
 Vega 120 Art No. 78748000 / Alpine 50 Art No. 78753000
 Alpine 60 Art No. 78754000 / Alpine 80 Art No. 78755000
 Alpine 100 Art No. 78756000 / Arena 80 Art No. 79530800
 Arena 120 Art No. 79531200

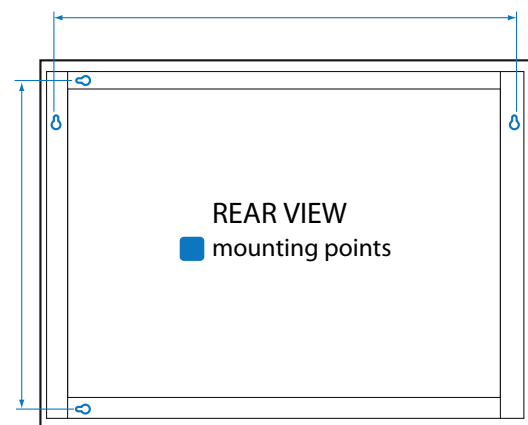
Thank you for purchasing this HiB product.

Please read through these instructions carefully and refer back to them during installation to ensure that your product is fitted safely and that it retains its high quality finish.

Please retain this leaflet for future reference.

Before installation, ensure the domestic electrical mains supply to which the mirror is to be connected is turned off. Before drilling, ensure that there are no hidden cables or pipes in the wall.

Mounting Points Diagram (Fig. A)



Note: Globe / Arena are dual orientation. Alpine and Vega are fixed orientation.

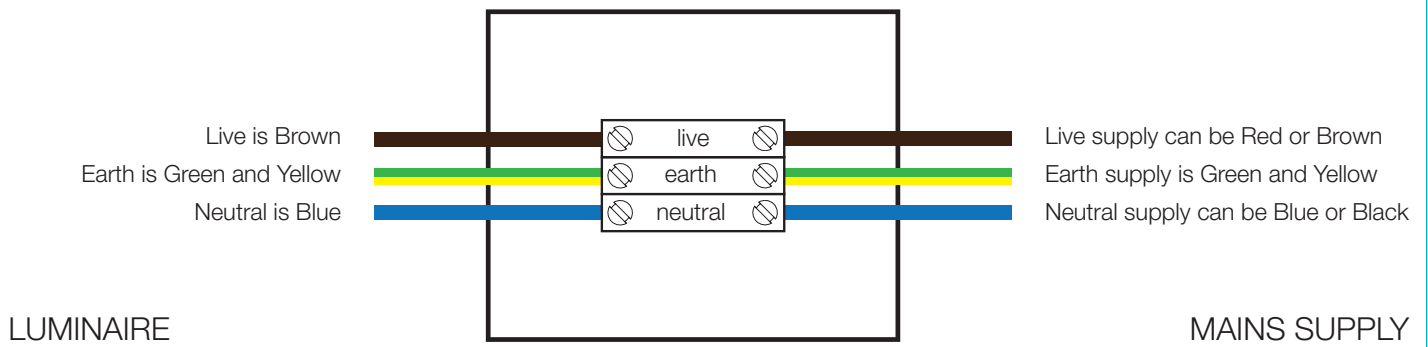
Operation Instructions

Vega/Alpine/ Arena - To turn illumination on or off, press the touch sensor. To cycle through warm to cool colour temperature, press and hold the touch sensor - release when the desired colour temperature has been reached. Heated Pad is only on when mirror is illuminated.

Globe - To turn illumination on or off, wave hand past the sensor on the side/bottom of the mirror. To alter the colour temperature, hold your hand over the sensor, remove hand when the desired colour temperature has been reached. Heated Pad is only on when mirror is illuminated.

NB. Globe mirrors must be installed with a minimum distance of 150mm between the infra-red sensor switch and any adjacent wall or object to ensure correct operation of the sensor.

Wiring Diagram (Fig. B)



Care Instruction

Do not use abrasives or solvents when cleaning this product. Wipe off all water spillages as soon as possible using a soft, damp cloth.

Aftercare Service

In the unlikely event that this product should fail please contact HiB customer services, details shown below. Wipe off all water spillages as soon as possible using a soft, damp cloth.

CAUTION

We recommend that you place this mirror on a soft flat surface to ensure no breakages. We also recommend that you leave corner protectors on until final fitting.

