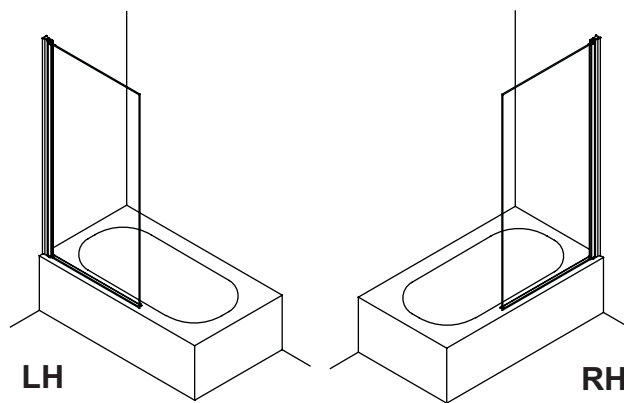


Single panel bathscreen 85cm x 145cm - BS1



Before Installation:

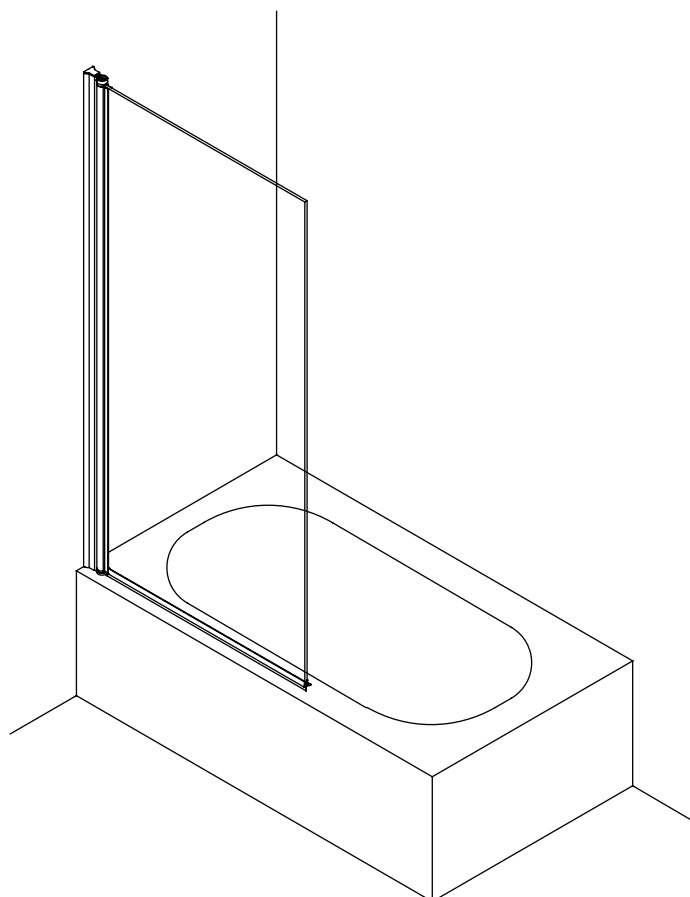
- Check the contents of the pack carefully before installation.
- The bath MUST be installed level and fully sealed to the tiles.
- Handle with care. Impacts can damage both the glass and the frame.
- Check for any hidden pipes or cables before drilling holes in the wall.
- The enclosure is reversible: " door can be either left or right opening. "

In the remainder of this manual the illustrations will only show the left hand installation of the bath screen.

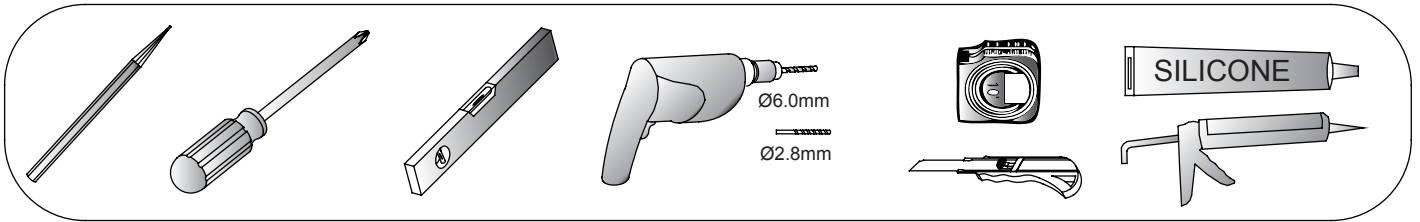
- The wall fixings supplied may not be suitable for your installation. You may need to source alternatives depending on the construction of the wall you are fixing to.
- Follow each step in turn.

Care and Cleaning:

- Do not use solvents or abrasive material or chemicals to clean the enclosure.
- Only clean using soapy water and a soft cloth, rinse thoroughly afterwards.

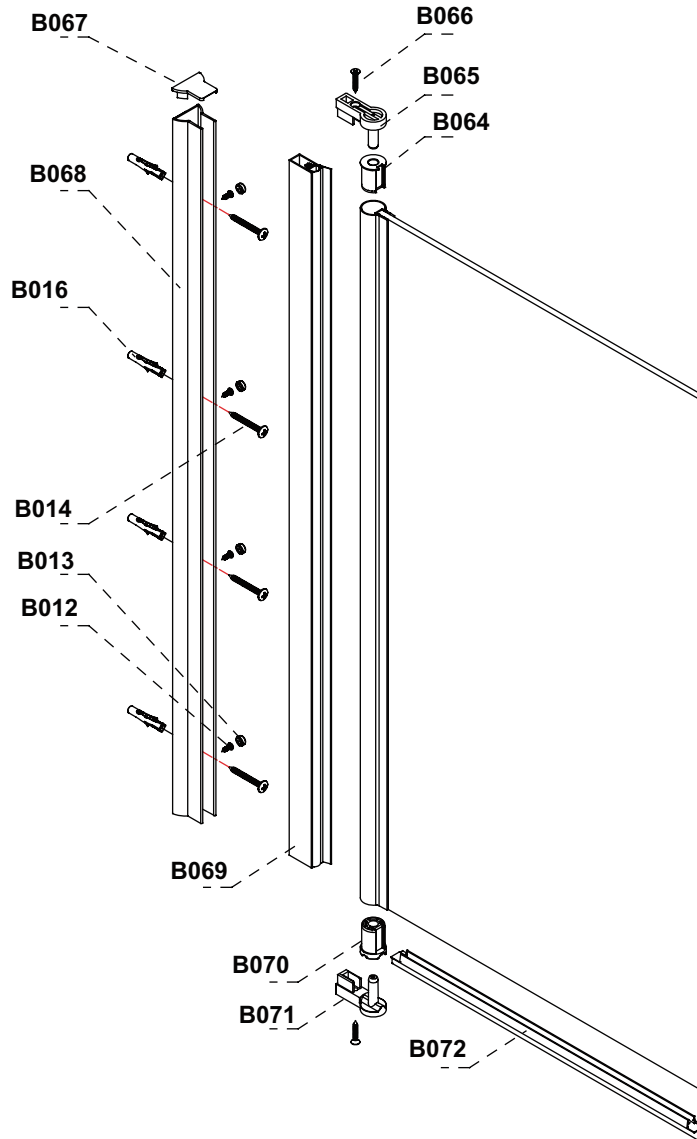



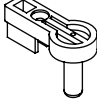


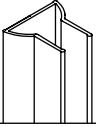
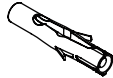



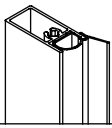

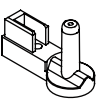
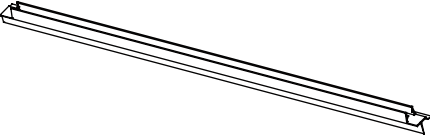
Tools required:



Parts supplied:

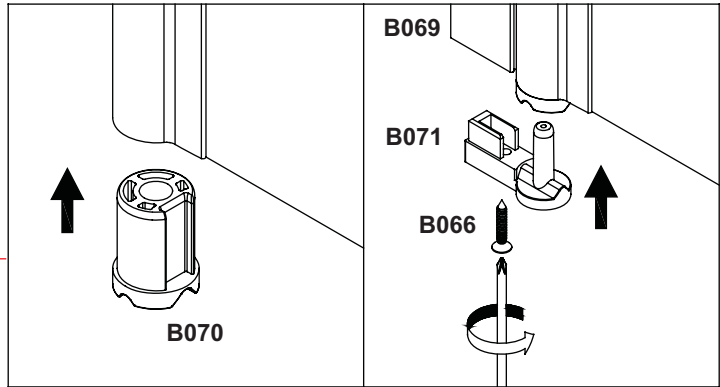
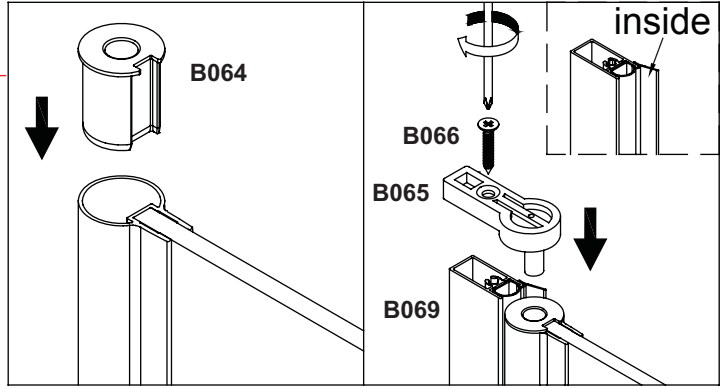
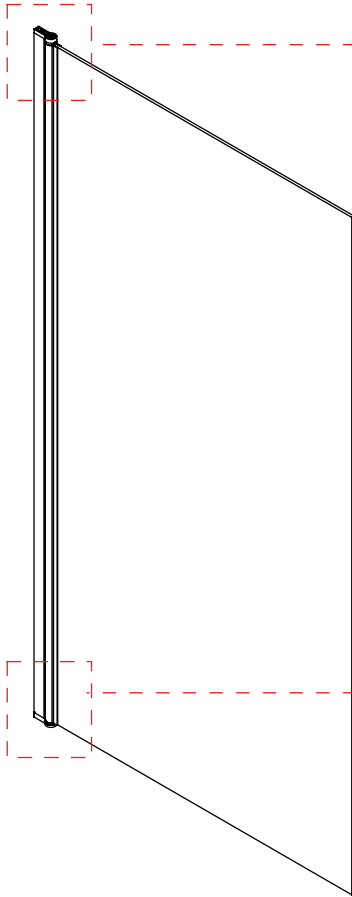
Single panel bathscreen 85cm x 145cm - BS1



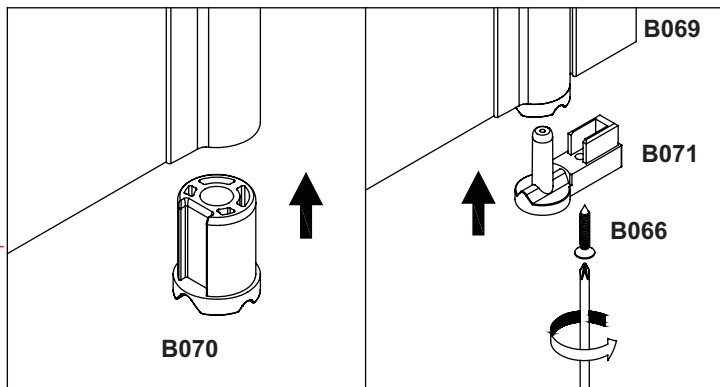
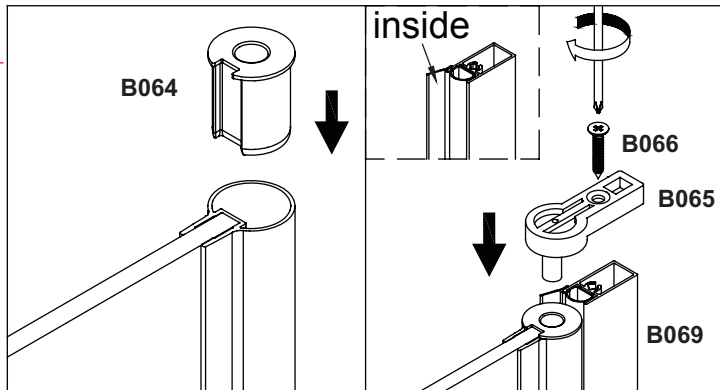
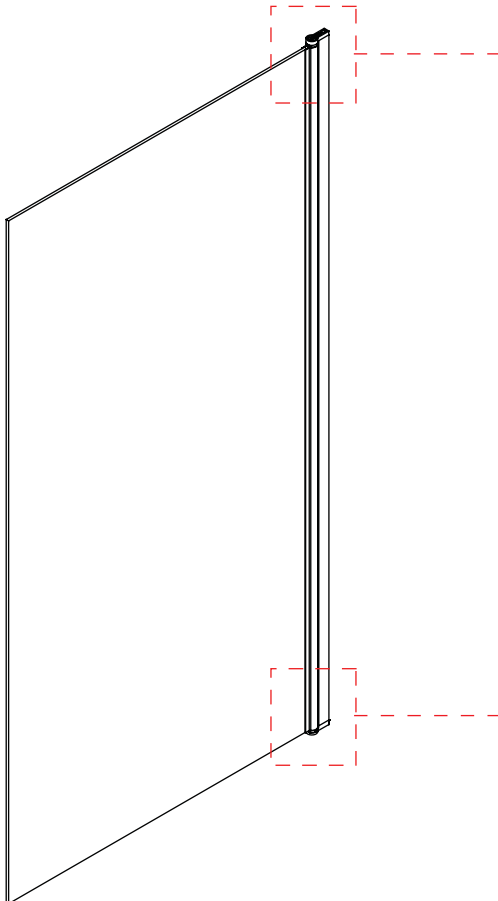
B064  1x	B065  1x	B066  2x ST4*30mm	B067  1x	B068  1x
B016  4x	B014  4x ST4*50mm	B013  4x	B012  4x ST3.5*10mm	B069  1x
B070  1x	B071  1x	B072  1x		

①

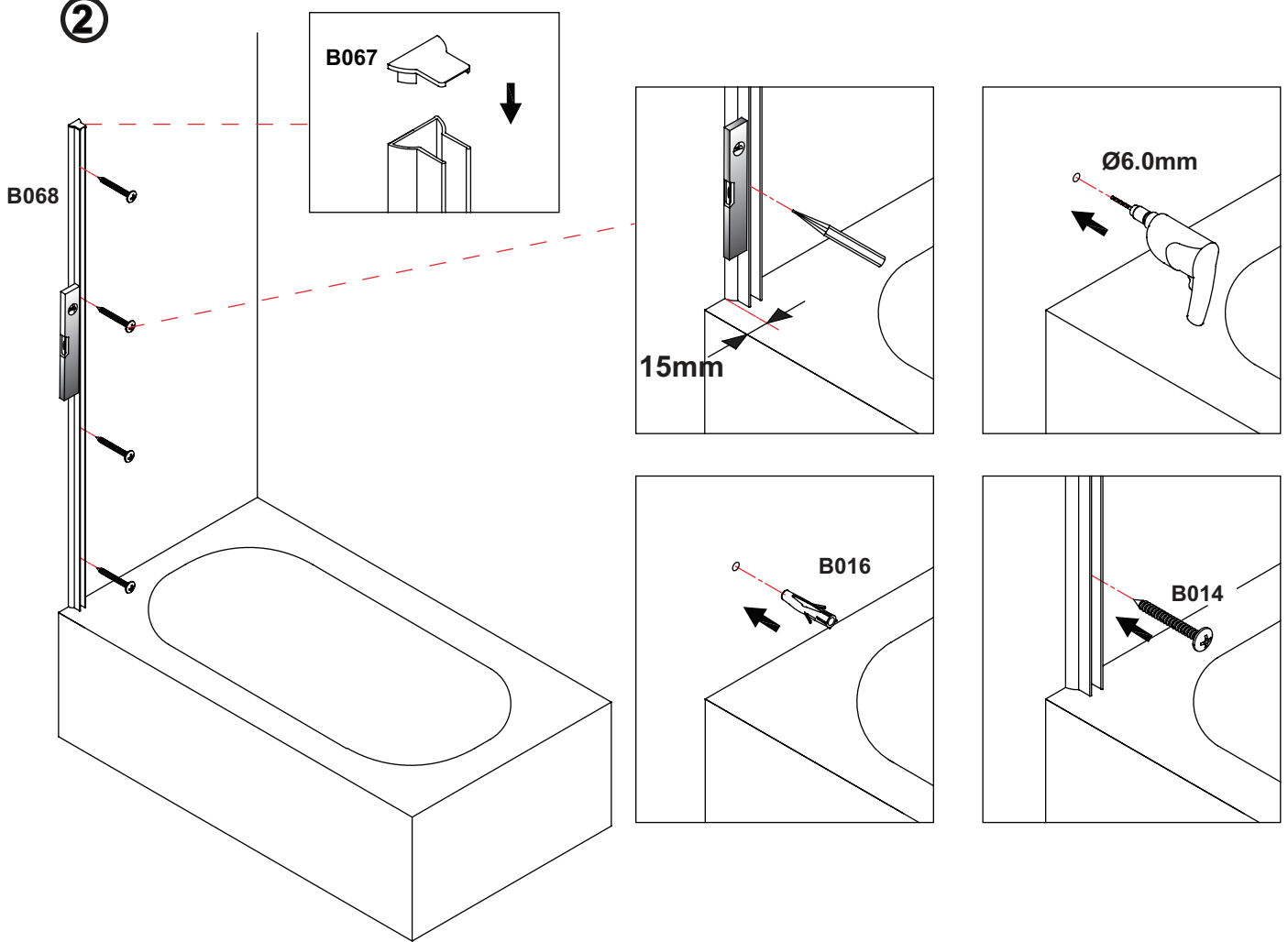
LH



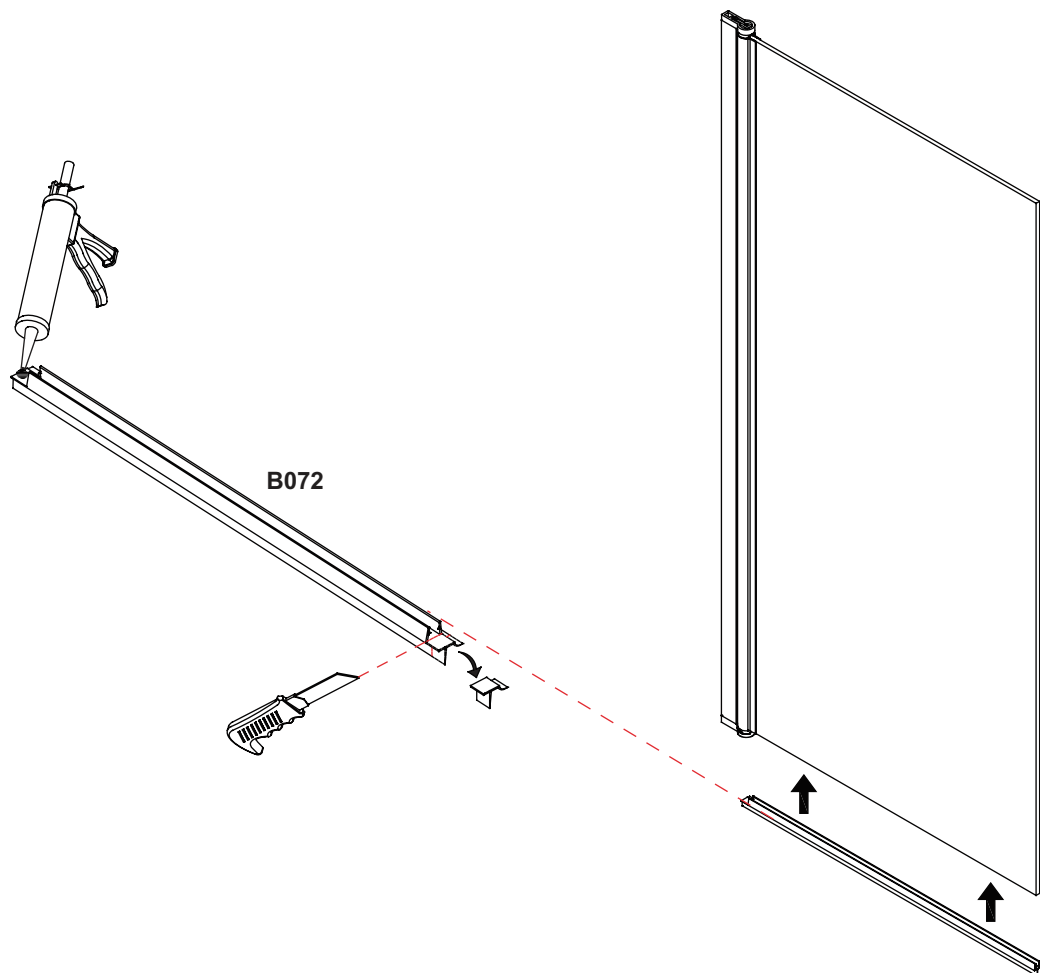
RH



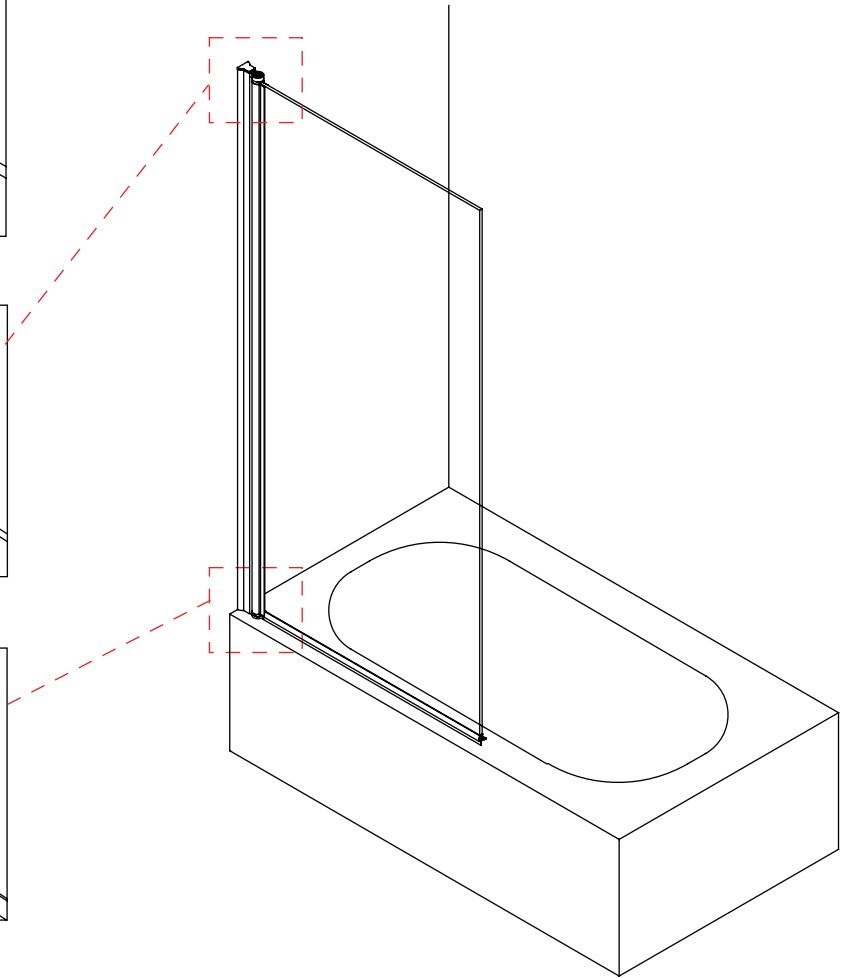
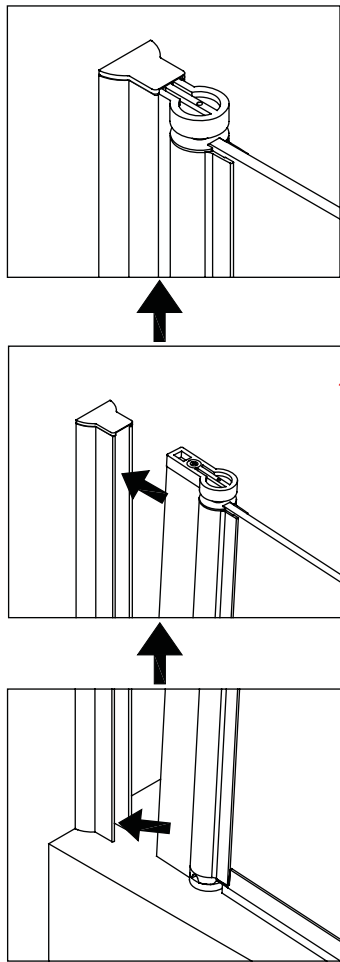
②



③



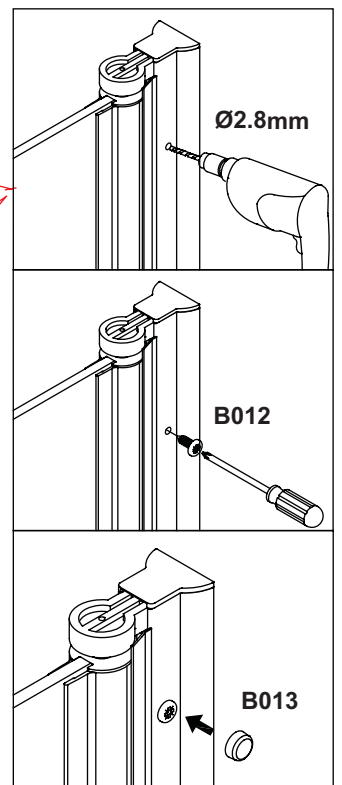
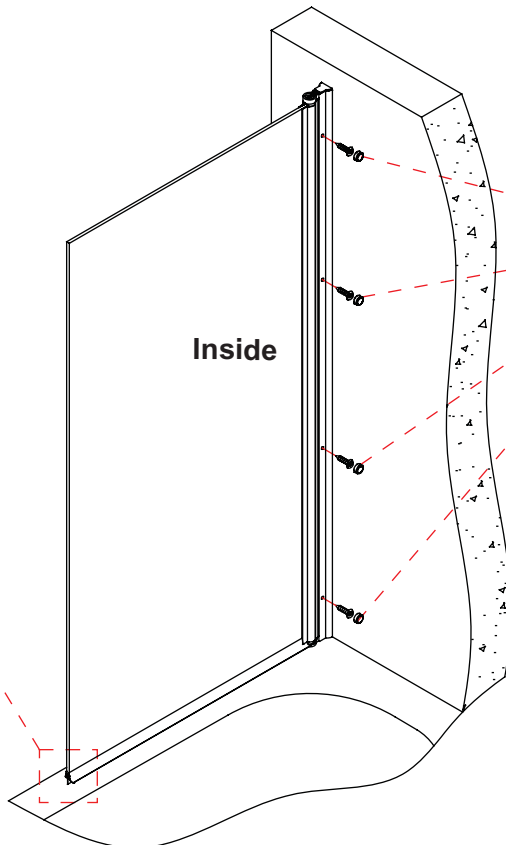
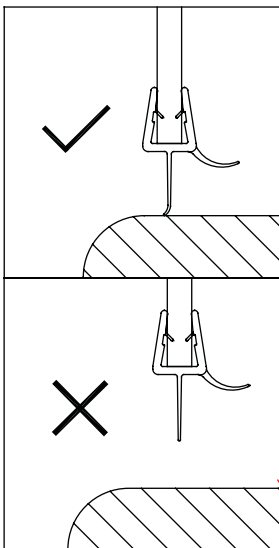
④



⑤



Firmly push the screen profile onto the wall profile, ensure the screen profile is as close to the wall as possible. Before securing the screen to the profile ensure that the gap between the screen and the bath is equal along its whole length.



6

